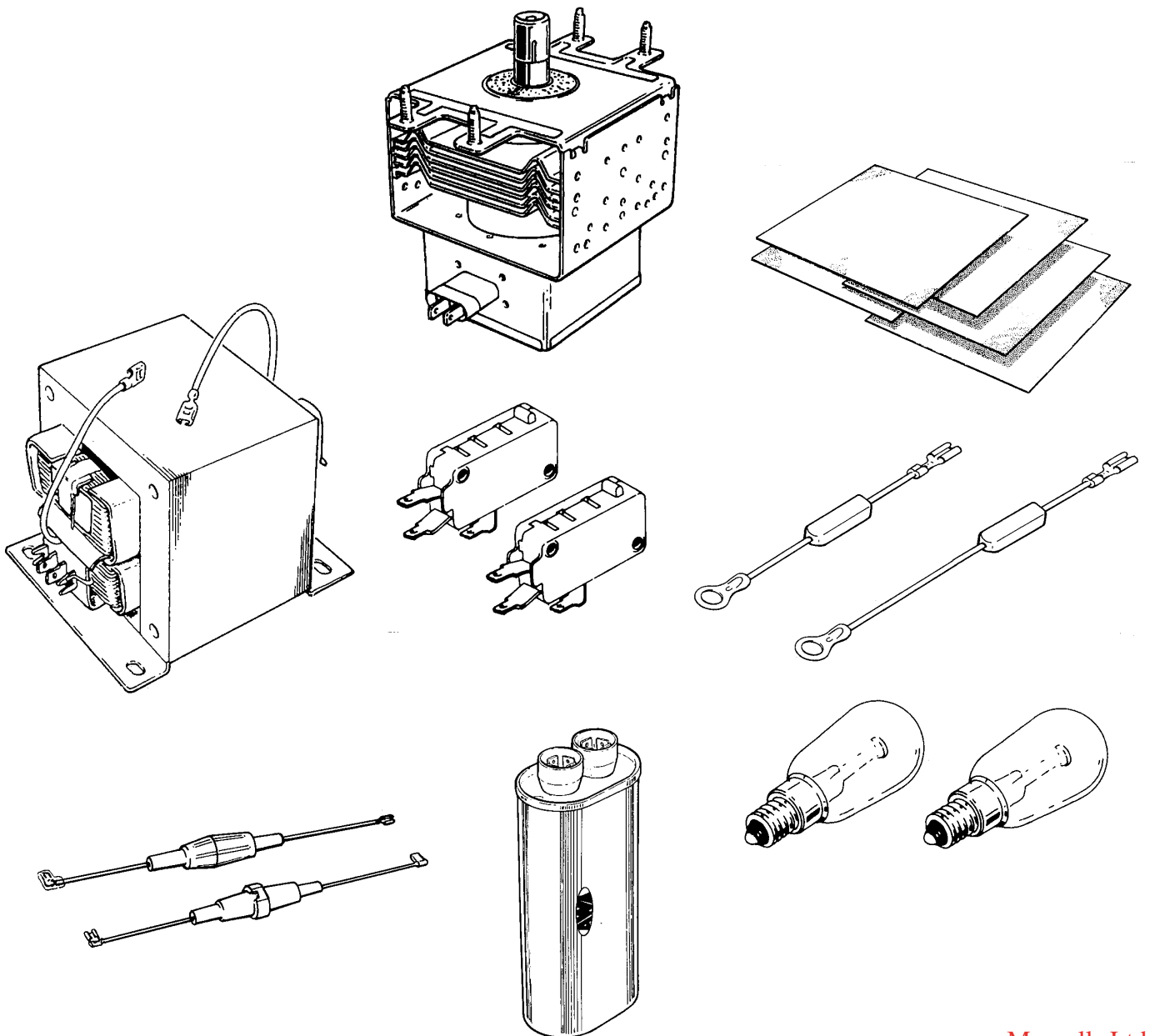


## CATALOGUE



Magsells Ltd  
7 Hyde Road  
Shanklin  
Isle of Wight  
PO37 7JZ

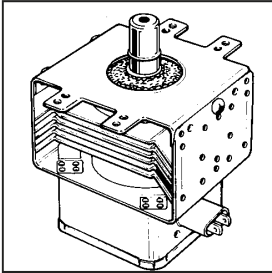
Tel : + 44 (0)844 809 4510 Fax: + 44 (0) 1983 868425

[www.magsells.com](http://www.magsells.com)  
[enquiries@magsells.com](mailto:enquiries@magsells.com)

All Magsells Magnetrons are 1000w output.  
 If the Magnetron in your microwave for repair is the same configuration as  
 the Magsells Magnetron it will be compatible.

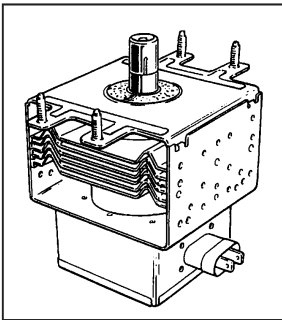
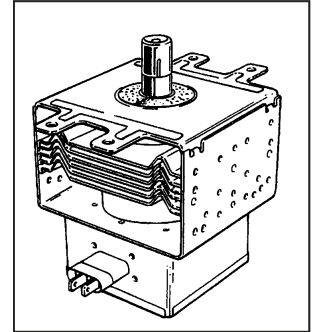
All prices are excluding VAT and Carriage

FREQUENCY 2458MHz MEAN ANODE CURENT 300MA DC  
 FILAMENT VOLTAGE 3.15V MAXIMUM OUTPUT POWER 1000W  
 PEAK ANODE VOLTAGE 4.0kV FORCED AIR 1/M3/1MIN  
 HEIGHT 135MM VENT WIDTH 95MM



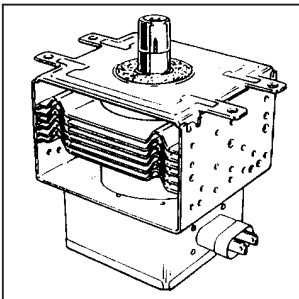
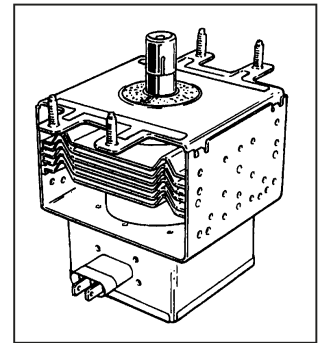
**MSM701**  
 MSM723  
 2M167B-M11  
 2M244M11  
 OM75(11)  
 Fits:  
 Panasonic NE 1330

**MSM707**  
 MSM724  
 2M167B-M14  
 2M244M14  
 OM75(21)  
 30M0061  
 Fits:  
 Merrychef range,  
 Panasonic Commercial



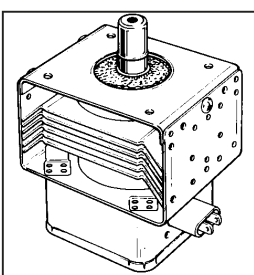
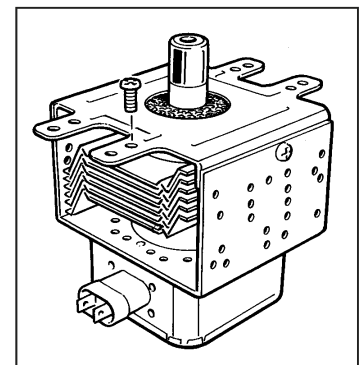
**MSM702**  
 MSM721  
 2M167B-M10  
 2M244M10  
 OM75(10)  
 Fits:  
 Sanyo EM-C 2001+2100

**MSM708**  
 MSM722  
 2M219H  
 2M167B-M12  
 2M244M12  
 OM75(20)  
 Fits:  
 Sharp 2290  
 Crypto MS1200  
 Samsung CM1319-1929  
 Merrychef Range



**MSM703**  
 2M210M1  
 FOH Type  
 Fits:  
 All Samsung 1039-49-59-69  
 Panasonic Heavy Duty Compact  
 and Gastronorm Range.

**MSM715**  
 2M253HL  
 Fits:  
 Sharp R21AT,22AT,  
 23AM and 24AT.  
 Most domestic Sharp



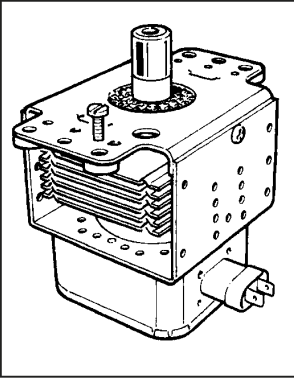
**MSM705**  
 Fits: Older type Sharp Commercial

Tel : + 44 (0)844 809 4510  
 Fax: + 44 (0) 1983 868425 [www.magsells.com](http://www.magsells.com)  
[enquiries@magsells.com](mailto:enquiries@magsells.com)

## MAGNETRONS

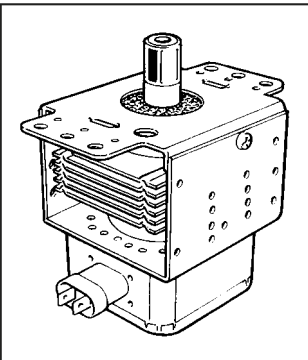
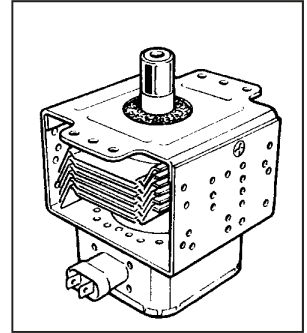
All prices are excluding VAT and Carriage

FREQUENCY	2455MHz	MEAN ANODE CURENT	300MA DC
FILAMENT VOLTAGE	3..15V	MAXIMUM OUTPUT POWER	1000W
PEAK ANODE VOLTAGE	4.0kV	FORCED AIR	1/M3/1MIN
HEIGHT	135MM	VENT WIDTH	95MM



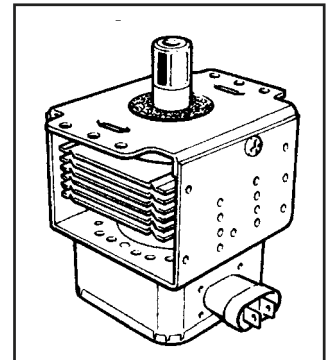
**MSM738**  
RVMZA099WREO  
2M214-02

**MSM741**  
2M219H-BZ  
Fits:  
Domestic Sanyo



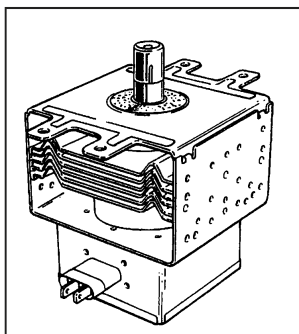
**MSM739**  
2M218H(ME)1

**MSM743**  
2M218J(MF)1



## PANASONIC INVERTER MAGNETRONS

If the Inverter Magnetron in your microwave for repair is the same configuration as the Magsells Inverter Magnetron it will be compatible.



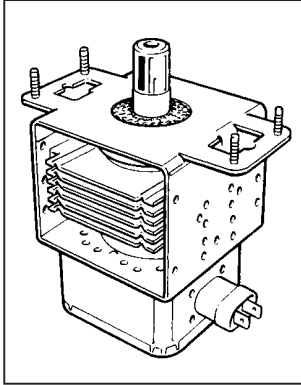
**MS2M236M42**

Tel : + 44 (0)844 809 4510  
Fax: + 44 (0) 1983 868425  
[www.magsells.com](http://www.magsells.com)  
[enquiries@magsells.com](mailto:enquiries@magsells.com)

## MAGNETRONS

All prices are excluding VAT and Carriage

FREQUENCY	2458MHz	MEAN ANODE CURENT	350MA DC
FILAMENT VOLTAGE	3..15V	MAXIMUM OUTPUT POWER	1000W
PEAK ANODE VOLTAGE	4.0kV	FORCED AIR	1/M3/1MIN
HEIGHT	135MM	VENT WIDTH	80MM

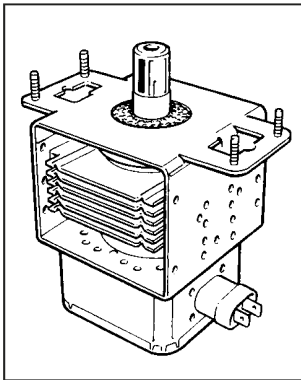


### MSCSM4

Max. output 1000 watts IEC  
Filament Voltage 3.3V  
Vent Width 80mm

#### FITS

Sanyo EM1500-EMC1850

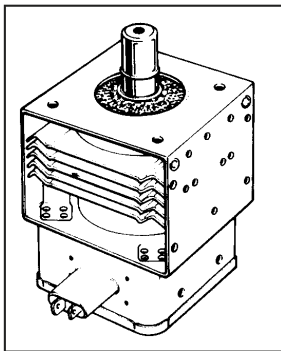


### MSCSM5 without studs

Max. output 1000watts IEC  
Filament Voltage 3.3V  
Vent Width 80mm

#### FITS

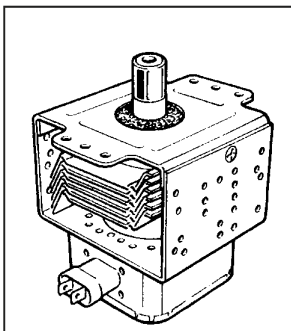
Amana UCRC 518T2  
UCRC 514t2  
UCRC 510T2  
Uc1400/1800



### MSM711

RVMZA080WREO  
2M214 04  
2M214 HY  
2M214 62  
FVMZ0092WRKO  
RVMZA035WREO

RVMZA130WREO  
2M218 HYB  
2M214 40  
2M214-64  
RVMZA034WREO  
RVMZA050WREO



### MSM742

2M218H(MF)1

Tel : + 44 (0)844 809 4510

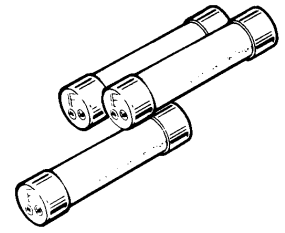
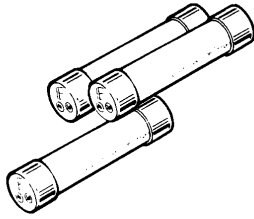
Fax: + 44 (0) 1983 868425

[www.magsells.com](http://www.magsells.com)

[enquiries@magsells.com](mailto:enquiries@magsells.com)

## FUSES

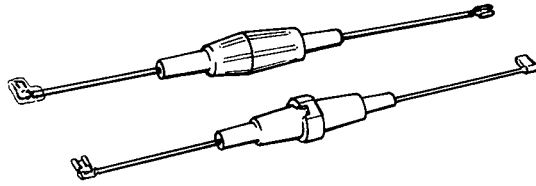
All prices are excluding VAT and Carriage



Fuse	Dimensions 5 X 20mm
Part Number	Rating
<b>MSF040P</b>	1 AMP
<b>MSF050P</b>	1.25 AMP
<b>MSF060P</b>	1.6 AMP
<b>MSF070P</b>	2 AMP
<b>MSF080P</b>	3.15 AMP
<b>MSF090P</b>	5 AMP
<b>MSF010P</b>	6.3 AMP
<b>MSF011P</b>	8 AMP
<b>MSF012P</b>	10 AMP
<b>MSF014P</b>	12.5 AMP
<b>Dimensions 6.3 X 32mm</b>	
<b>MSF014L</b>	1 AMP
<b>MSF015L</b>	1.5 AMP
<b>MSF016L</b>	2 AMP
<b>MSF017L</b>	3.15 AMP
<b>MSF019L</b>	6.3 AMP
<b>MSF020L</b>	8 AMP
<b>MSF021L</b>	10 AMP
<b>MSF022L</b>	16 AMP
<b>MSF023L</b>	12.5 AMP
<b>MSF024L</b>	20 AMP
<b>MSF025L</b>	7 AMP
<b>MSF026L</b>	1.6 AMP
<b>MSF027L</b>	12 AMP
<b>MSF028L</b>	15 AMP
<b>Dimensions 10 X 38mm</b>	
<b>MSF029L</b>	10 AMP
<b>MSF030L</b>	8 AMP
<b>MSF031L</b>	15 AMP
<b>MSF033L</b>	20 AMP

## HIGH VOLTAGE FUSES

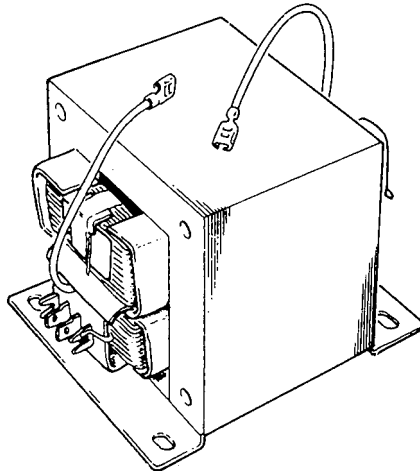
All prices are excluding VAT and Carriage



Part Number	Rating
<b>MSHVF6</b>	5KV 0.6 AMP
<b>MSHVF7</b>	5KV 0.7 AMP
<b>MSHVF8</b>	5KV 0.8 AMP
<b>MSHVF8st</b>	5KV 0.8 AMP small terminals
<b>MSHVF10</b>	5kv 1.00 AMP

## TRANSFORMER

All prices are excluding VAT and Carriage



PART NO	HEIGHT	WIDTH	LENGTH	MERRYCHEF	NUMBERS
MSCT5	111mm	133mm	56mm	3011233	30Z0992

Tel : + 44 (0)844 809 4510

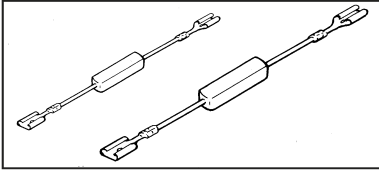
Fax: + 44 (0) 1983 868425

[www.magsells.com](http://www.magsells.com)

[enquiries@magsells.com](mailto:enquiries@magsells.com)

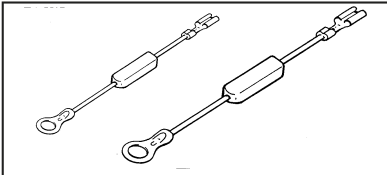
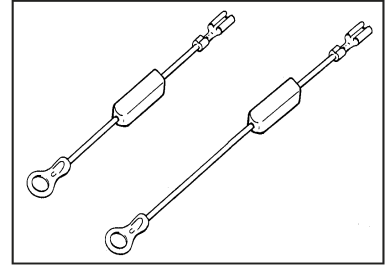
## DIODES

All prices are excluding VAT and Carriage



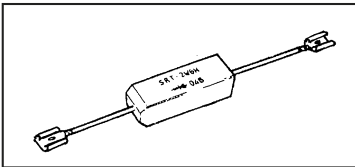
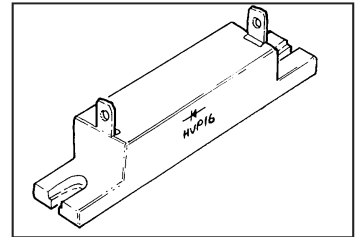
**MSD200** (92mm)  
**MSD200L** (218mm)  
 UNIVERSAL  
 DOMESTIC

**MSD201** (94mm)  
**MSD201P** piggy back  
**MSD201ST**  
 4.6mm terminals Panasonic  
**MSD201L** (218mm)  
 UNIVERSAL  
 DOMESTIC  
 DIODE



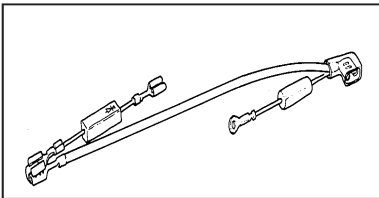
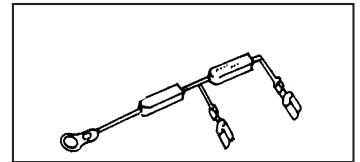
**MSD202** (94mm)  
**MSD202L** (218mm)  
 UNIVERSAL  
 COMMERCIAL  
 DIODE

**MSD204M**  
 HVP16  
 16KV  
 HEAVY DUTY



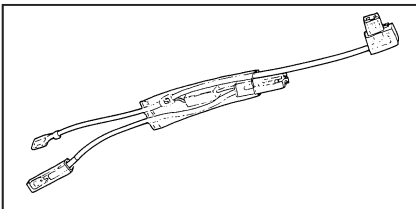
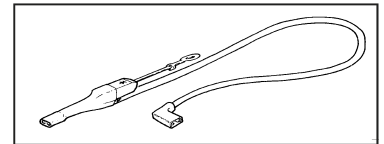
**MSD208**  
**MSD208P** piggy back  
 terminal  
 SHORT PROTECTOR

**MSD209** (95mm + 96mm) DIODE  
 AND SHORT PROTECTOR  
**MSD209L** EXT LEAD  
 COMPLETE DIODE  
 AND SHORT PROTECTOR  
 12KV



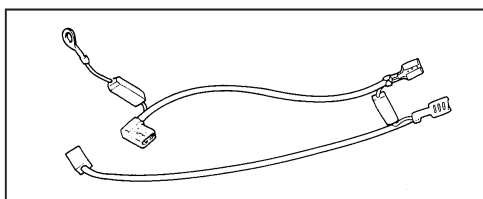
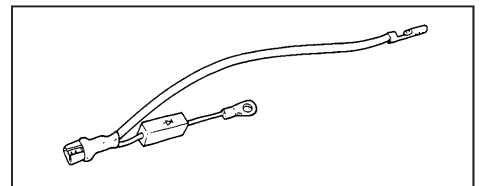
**MSD213**  
 DIODE + SHORT PROTECTOR  
 ZANUSSI EME2360  
 ELECTROLUX EME240  
 MIELE  
 SANYO

**MSD214**  
 DIODE  
 TOSHIBA  
 325D7018



**MSD215** SHORT PRO-  
 TECTOR  
 PANASONIC

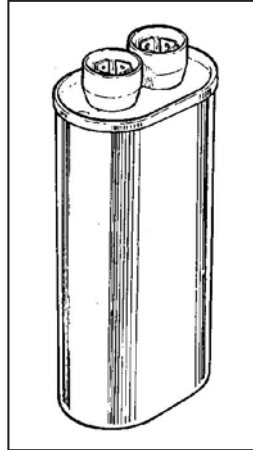
**MSD216**  
 GOLDSTAR  
 MV2800 MBKBK  
 31373348BC



**MSD217** DIODE + SHORT PROTEC-  
 TOR  
 MEILE M708/M734  
 REX FM23  
 ELECTRO HELIOS ME203-3  
 SANYO CG1756/G75A/EM881/CM1752

## CAPACITORS

All prices are excluding VAT and Carriage



Part Number	MFD/ $\mu$	WVAC
<b>MSCP422</b>	0.30	2100
<b>MSCP426</b>	1.30	2500
<b>MSCP600</b>	0.60	2500
<b>MSCP603</b>	0.85	2500
<b>MSCP605</b>	0.90	2500
<b>MSCP606</b>	0.94	2500
<b>MSCP607</b>	1.00	2500
<b>MSCP608</b>	1.05	2500
<b>MSCP609</b>	1.10	2500
<b>MSCP610</b>	1.20	2500
<b>MSCP611</b>	0.85	2100
<b>MSCP612</b>	0.90	2100
<b>MSCP613</b>	0.95	2100
<b>MSCP614</b>	1.00	2100
<b>MSCP615</b>	1.05	2100
<b>MSCP616</b>	1.10	2100
<b>MSCP617</b>	1.15	2100
<b>MSCP618</b>	1.20	2100

Tel : + 44 (0)844 809 4510

Fax: + 44 (0) 1983 868425

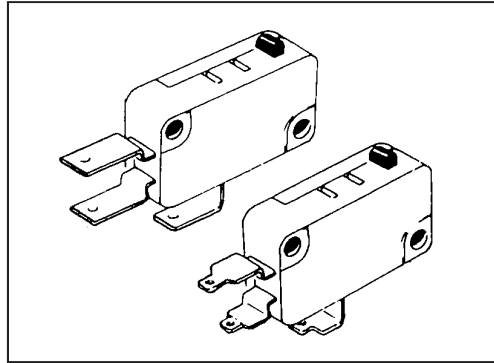
[www.magsells.com](http://www.magsells.com)

[enquiries@magsells.com](mailto:enquiries@magsells.com)

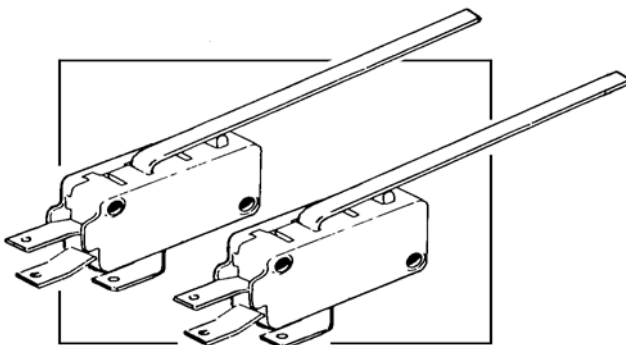


## SWITCHES

All prices are excluding VAT and Carriage



PART NUMBER	220/240V 16AMP	220/240V 10AMP	4.6MM TERMI- NAL	6.3MM TERMI- NAL	LEVER TYPE/ BUTTON
MSS099		√	√		Short Lever
MSS103		√		√	Long Lever
MSS107	√		√		
MSS109	√		√		Button
MSS199	√		√		Short Lever
MSS200	√		√		Long Lever
MSS202	√			√	Short Lever
MSS203	√		√		Long Lever
MSS204 (NC)		11 amp	√		Button
MSS205 (NO)	√			√	Button
MSS210 (NO)	√		√		Button
MSS211 (NC)	√		√		Button
MSS298	√		√		Button
MSS301	√			√	Button



**MSCSS1 6CM Lever**

30Z0240

22amp 220/240V

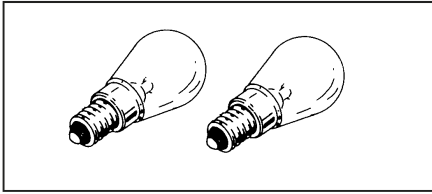
**MSCSS2 Crowbar Lever**

30z0356

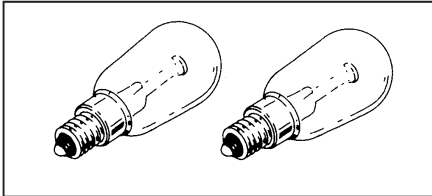
22 AMP 220/240V

## LAMPS

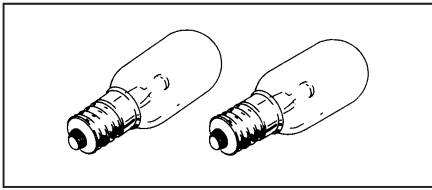
All prices are excluding VAT and Carriage



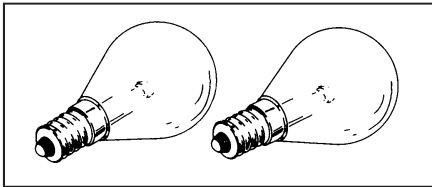
MSCL806  
15 WATT E14 SES  
220/240V  
CLEAR



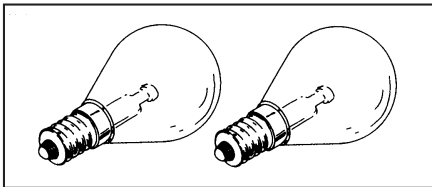
MSCL807  
25 WATT E14 SES  
220/240V  
CLEAR 300°C



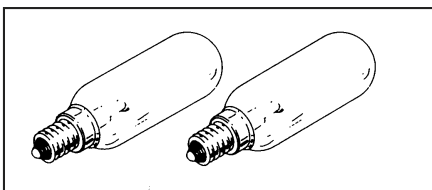
MSCL815  
15 WATT E17  
220/240V



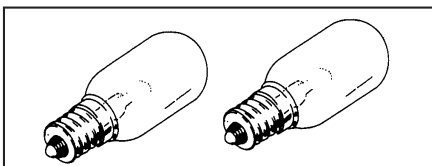
MSCL816  
15 WATT E17  
220/240V



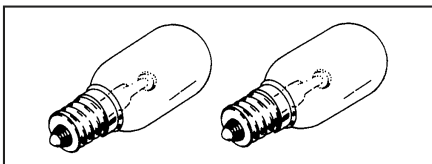
MSCL817  
25 WATT E17  
125V



MSCL818  
25 WATT E14 SES  
220/240V



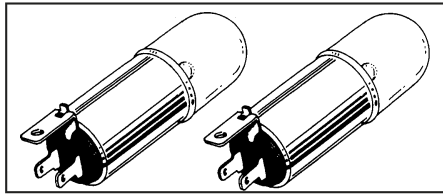
MSCL821  
20 WATT E17  
220/240V



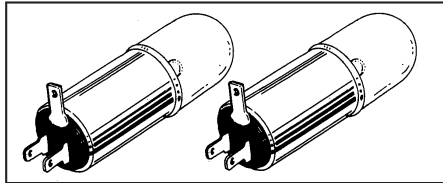
MSCL822  
20WATT E17  
125V

## LAMPS

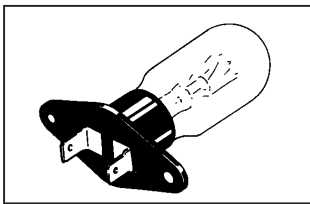
All prices are excluding VAT and Carriage



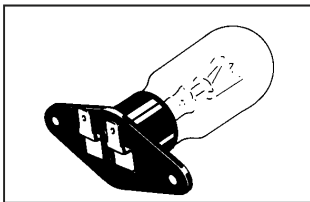
MSCL823  
20 WATT BRACKET  
220/240V  
4.3mm TERMINALS BROTHER



MSCL825  
20 WATT BRACKET  
220/240V  
4.3mm TERMINALS MOULINEX/TOSHIBA



MSCL827  
25 WATT 220/240V  
6.3mm TERMINALS  
BASELESS LAMP



MSCL828  
25 WATT 220/240V  
4.3mm TERMINALS  
BASELESS LAMP



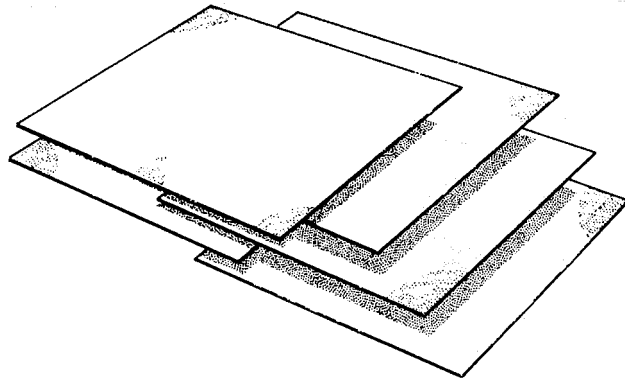
MSCL831  
25 WATT 220/240V  
2 pin moulded lamp  
PANASONIC AND SHARP



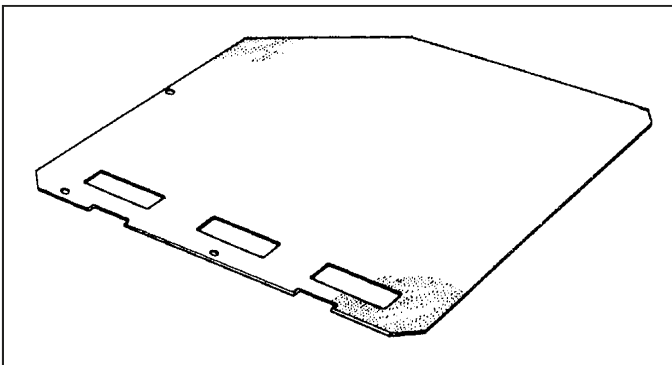
MSCL832  
25 WATT 220/240V  
4.8mm TERMINALS ANGLED  
BASELESS LAMP

## ROOF LINERS

All prices are excluding VAT and Carriage



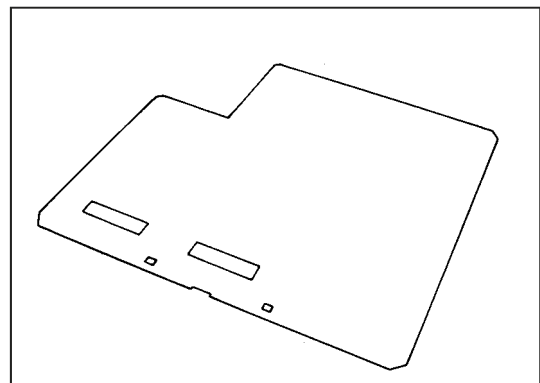
PART NO	LENGTH	WIDTH	DEPTH	NO OF SHEETS
MSRF502	300mm	300mm	0.5mm	5
MSRF502M	300mm	300mm	0.5mm	1
MSRF504M	203mm	127mm	0.5mm	5
MSRF504M.	203mm	127mm	0.5mm	1
MSRF521M	500mm	400mm	0.5mm	1



### **MSCSR1**

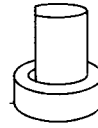
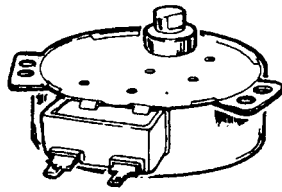
SANYO EM 1800/1801/1802/1804/1804  
 SANYO EM 1900/ EM9003/EM9005  
 SANYO EMC 2000/ EMC 2100  
 SANYO EM3415

**MSCSR6**  
 SANYO EM1500  
 SANYO EM 1800



## TURNTABLE MOTORS

All prices are excluding VAT and Carriage



PART NO	RPM	SHAFT LENGTH	SHAFT TYPE	TERMINAL SIZE
MSTTM462	2.5/3	10mm	D	4.8mm
MSTTM463	5/6	11mm	D	4.8mm
MSTTM466	2.5/3	10mm	DOUBLE D	4.8mm
MSTTM467	5/6	14mm	D	4.8mm
MSTTM468	5/6	11mm	SHARP CROSS TYPE	4.8mm
MSTTM469	5/6	9mm	D	4.8mm

**Magsells Ltd**

7 Hyde Road

Shanklin

Isle of Wight

PO37 7JZ

**Tel :** + 44 (0)844 809 4510 **Fax:** + 44 (0) 1983 868425

[www.magsells.com](http://www.magsells.com)

[enquiries@magsells.com](mailto:enquiries@magsells.com)

DO NOT HESITATE TO CONTACT MAGSELLS FOR ANY FURTHER INFORMATION  
OR ASSISTANCE WITH IDENTIFYING SPARES AND PART NUMBERS